



BioRise

iSource Global





i Source Global



Why Choose BIORISE?

Comprehensive Product Range

Totaling hundreds of models of Sharps Containers.

New Designs

More than 10 types of new designs every year.

Quick Shipment

Minimum delivery time is 3 days.

High Performance & Low Cost

Let you be very satisfied with the products.

Service Guarantee

Response within 24 hours for all questions.



<https://www.isource-global.com.tw>



Available Colour:



Contents

Company Profile	3
-----------------------	---

Product Application	4
---------------------------	---

K Series Sharps Container	
K0.2	5

F Series Sharps Container	
Introduction	6
F02 F03	7
F04 F05A	8
F05B F06	9
F07 F10	10
F15 F23	11
F32 F48	12
F38 F64	13

R Series Sharps Container	
Introduction	14
R0.7 R1.....	15
R1.5 R2.4	16
R3A R3B	17
R6 R8	18

Y Series Sharps Container	
Introduction	19
Y01 Y03	20
Y04 Y06A	21
Y06B	22

T Series Sharps Container	
Introduction	23
T1A T1B T2.....	24
T3 T5	25
T4.6A T4.6B	26
T4.6C T4.6WM	27
T8	28

S series Sharps Container	
Introduction	29
S0.1 S1.7 S2	30
S7 S8	31
S23 SP3	32
SP5 SP10	33

Respiratory Exerciser	34
------------------------------------	-----------





BioRise

i Source Global

Our persistence

Quality is given utmost importance and we ensure that the associated clients are served with certified solutions. Strict checks over quality have enabled us to maintain the highest quality standards in our products.



BioRise
i Source Global



Application of Medical Sharps Container



Medical sharps containers are for properly dispose of medical waste which includes but not limited to, discarded medical needles, scalpels, IV catheters, non-liquid human tissue, body parts, human blood, human blood products, laboratory waste which contain human disease-causing agents, and body fluids.

We use sharps container to ensure all the waste are properly segregated from people to prevent infection and harm in hospitals, clinics, labs and also home care.





Pocket Sharps Container

- Smart size
- Leak proof and puncture resistant
- Appropriate sliding opening
- Temporary closure & definite closure
- Needle removal cap
- Befitting for the pocket
- Very convenient for outdoor or travel use

Model: DMS-K0.2 (Capacity: 0.2L)

Product size (cm)	pcs/ctn	Carton size (cm)
7.6x3.8x10	200	38x36x42



Available Colour:

F Series

- Most popular quadrate shape
- Leak proof and puncture resistant
- Wide and clear opening for easy disposal
- Counterbalanced door for hands-free disposal
- Ergonomically-designed handle
- Temporary closure & definite closure
- Practical rotating/sliding temporary lid
- Secure perimeter lock for safe usage and transportation
- Easy manipulation
- Comprehensive label details
- Safe to human health and environment

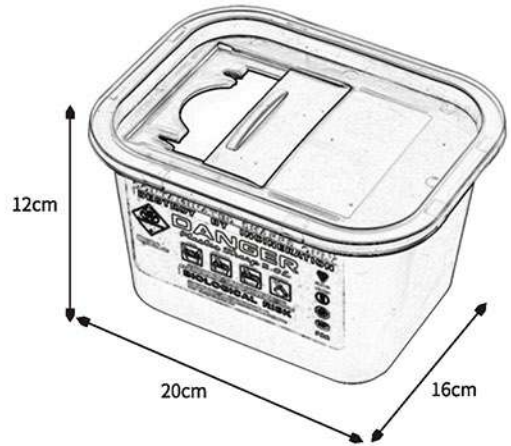


Available Colour:



Model: DMS-F02 (Capacity: 2.0L)

Product size (cm)	pcs/ctn	Carton size (cm)
20x16x12	30	41x34x25



Model: DMS-F03 (Capacity: 3.0L)

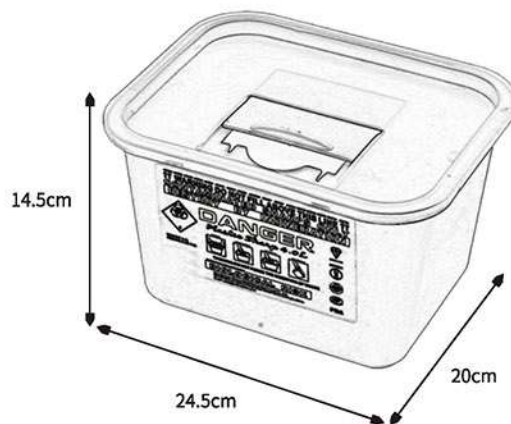
Product size (cm)	pcs/ctn	Carton size (cm)
20x16x13.5	30	41x34x31.5





Model: DMS-F04 (Capacity: 4.0L)

Product size (cm)	pcs/ctn	Carton size (cm)
24.5x20x14.5	24	51x42x25



Model: DMS-F05A (Capacity: 5.0L)

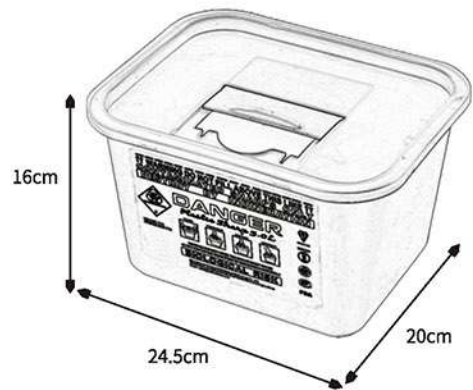
Product size (cm)	pcs/ctn	Carton size (cm)
24.5x20x16.5	24	51x42x29.5





Model: DMS-F05B (Capacity: 5.0L)

Product size (cm)	pcs/ctn	Carton size (cm)
24.5x20x16	24	51x42x25



Model: DMS-F06 (Capacity: 6.2L)

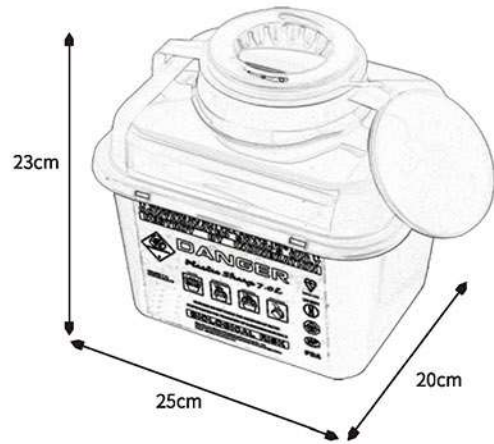
Product size (cm)	pcs/ctn	Carton size (cm)
24.5x20x18.5	24	51x42x31





Model: DMS-F07 (Capacity: 7.0L)

Product size (cm)	pcs/ctn	Carton size (cm)
25x20x23	24	51x42x37



Model: DMS-F10 (Capacity: 10.0L)

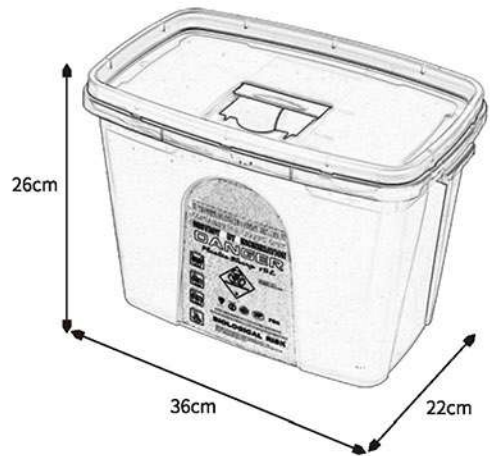
Product size (cm)	pcs/ctn	Carton size (cm)
30x20x26	12	42x34x58





Model: DMS-F15 (Capacity: 15.0L)

Product size (cm)	pcs/ctn	Carton size (cm)
36x22x26	20	49x39x65



Model: DMS-F23 (Capacity: 23.0L)

Product size (cm)	pcs/ctn	Carton size (cm)
37x24x38	20	49x39x82





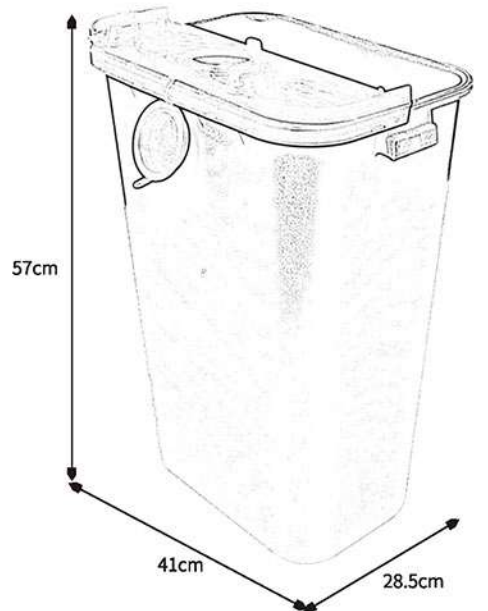
Model: DMS-F32 (Capacity: 31.0L)

Product size (cm)	pcs/ctn	Carton size (cm)
41x28.5x41	12	49x39x61



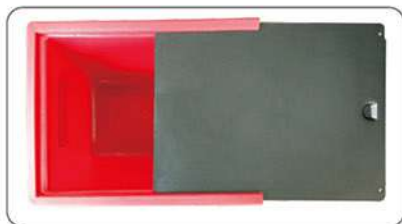
Model: DMS-F48 (Capacity: 46.0L)

Product size (cm)	pcs/ctn	Carton size (cm)
41x28.5x57	12	49x39x77



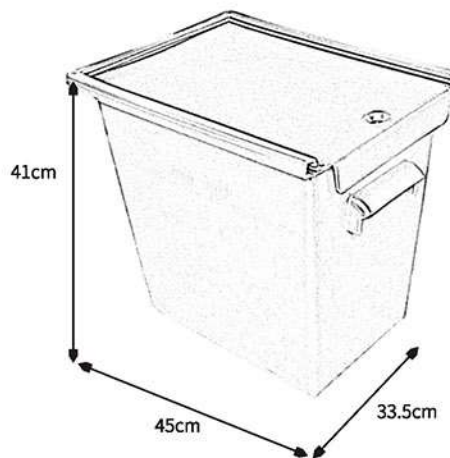


F38 & F64
Reusable
Autoclavable



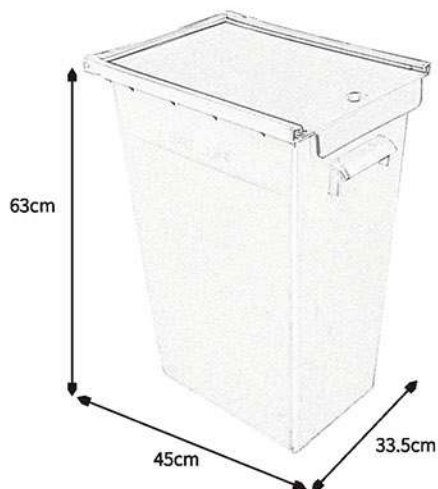
Model: DMS-F38 (Capacity: 38L/10 Gallon)

Product size (cm)	pcs/pallet	Pallet size (cm)
45x33.5x41	125	120x120x250



Model: DMS-F64 (Capacity: 64L/17 Gallon)

Product size (cm)	pcs/pallet	Pallet size (cm)
45x33.5x63	120	120x120x250



R Series

- New-developed round shape
- Leak proof and puncture resistant
- Funnel-designed and built-in needle removal cap for easy and safe disposal
- Various indent design for easy needle removal
- Temporary closure & definite closure
- Convenient extra lid design for temporary and final closure
- Secure perimeter lock for safe usage and transportation
- Easy manipulation
- Comprehensive label details
- Safe to human health and environment

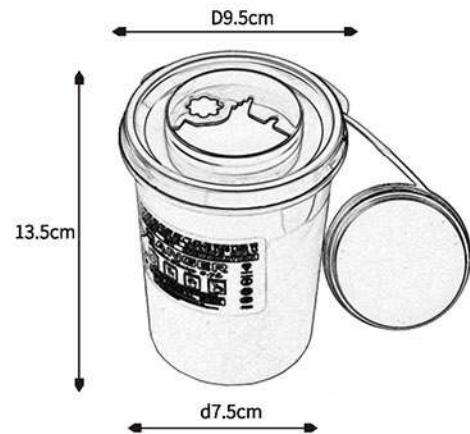


Available Colour:



Model: DMS-R0.7 (Capacity: 0.7L)

Product size (cm)	pcs/ctn	Carton size (cm)
9.5x7.5x13.5	100	35x35x46



Model: DMS-R1 (Capacity: 1.0L)

Product size (cm)	pcs/ctn	Carton size (cm)
11x8.5x15	100	39x39x58





Model: DMS-R1.5 (Capacity: 1.5L)

Product size (cm)	pcs/ctn	Carton size (cm)
14x11x15	60	37x32x54



Model: DMS-R2.4 (Capacity: 2.4L)

Product size (cm)	pcs/ctn	Carton size (cm)
14x11.5x20	40	48x32x50





Model: DMS-R3A (Capacity: 3.0L)

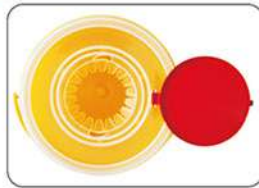
Product size (cm)	pcs/ctn	Carton size (cm)
14x12x24	30	48x32x48



Model: DMS-R3B (Capacity: 3.0L)

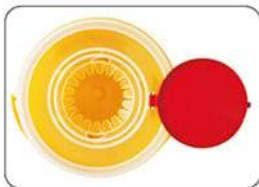
Product size (cm)	pcs/ctn	Carton size (cm)
14x12x24	30	48x32x53





Model: DMS-R6 (Capacity: 6.0L)

Product size (cm)	pcs/ctn	Carton size (cm)
22.5x20x19	24	44x44x40.5



Model: DMS-R8 (Capacity: 8.0L)

Product size (cm)	pcs/ctn	Carton size (cm)
22.5x18x26	24	53x42x45



- Traditional-designed round shape
- Leak proof and puncture resistant
- Wide opening for easy disposal
- Temporary closure & definite closure
- Large and practical rotating/sliding temporary lid
- Secure perimeter lock for safe usage and transportation
- Easy manipulation
- Comprehensive label details
- Safe to human health and environment



Available Colour:

Model: DMS-Y01 (Capacity: 0.8L)

Product size (cm)	pcs/ctn	Carton size (cm)
12x9x11.5	90	38x38x39.5



Model: DMS-Y03 (Capacity: 2.8L)

Product size (cm)	pcs/ctn	Carton size (cm)
16x14x15	30	36x36x37



Model: DMS-Y04 (Capacity: 3.6L)

Product size (cm)	pcs/ctn	Carton size (cm)
16.5x14x19	50	52x52x30



Model: DMS-Y06A (Capacity: 6.0L)

Product size (cm)	pcs/ctn	Carton size (cm)
22x19x20	30	44x44x44.5



Model: DMS-Y06B (Capacity: 6.0L)

Product size (cm)	pcs/ctn	Carton size (cm)
22x19x20	30	44x44x44.5



- Novel quadrate shape
- Leak proof and puncture resistant
- Wide, clear and practical opening for easy and safe disposal
- Counterbalanced door for hands-free disposal
- Built-in needle removal
- Ergonomically-designed handle on the side/lid
- Temporary closure & definite closure
- Secure perimeter lock for safe usage and transportation
- Easy manipulation
- Comprehensive label details
- Safe to human health and environment



Available Colour:



Model: DMS-T1A (Capacity: 1.0L)

Product size (cm)	pcs/ctn	Carton size (cm)
10.5x8x18	60	37x32x40



Model: DMS-T1B (Capacity: 1.0L)

Product size (cm)	pcs/ctn	Carton size (cm)
11x10x15.5	60	36x36x55



Model: DMS-T2 (Capacity: 2.0L)

Product size (cm)	pcs/ctn	Carton size (cm)
19x11x16.5	30	40.5x27x45





Model: DMS-T3 (Capacity: 3.0L)

Product size (cm)	pcs/ctn	Carton size (cm)
16x13x18	54	47x50x40



Model: DMS-T5 (Capacity: 5.0L)

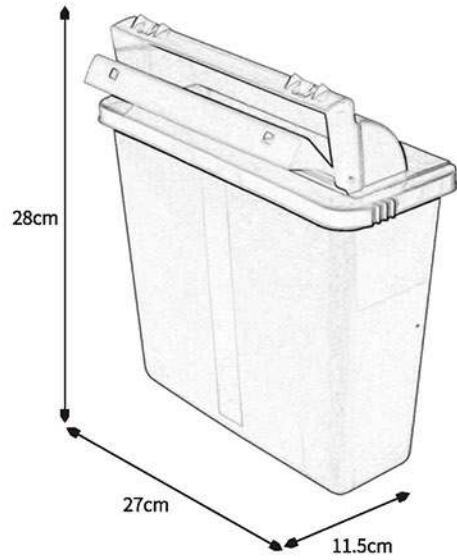
Product size (cm)	pcs/ctn	Carton size (cm)
15.5x13x31	50	67x32x47.5





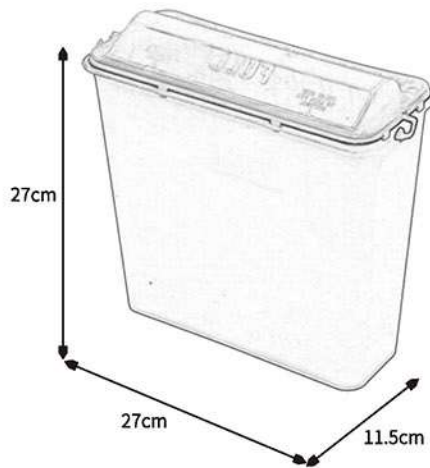
Model: DMS-T4.6A (Capacity: 4.6L)

Product size (cm)	pcs/ctn	Carton size (cm)
27x11.5x28	20	58x57x28



Model: DMS-T4.6B (Capacity: 4.6L)

Product size (cm)	pcs/ctn	Carton size (cm)
27x11.5x27	20	58x35x28





Model: DMS-T4.6C (Capacity: 4.6L)

Product size (cm)	pcs/ctn	Carton size (cm)
27x11.5x27	20	58x56x28



Model: T4.6WM (Cabinet for T4.6A/B/C)

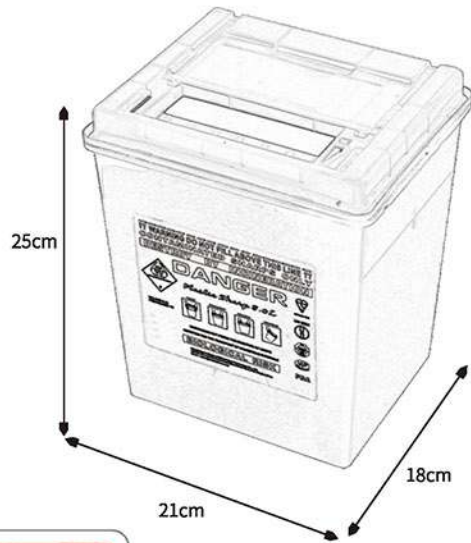
Product size (cm)	pcs/ctn	Carton size (cm)
32x13x46	10	73x36x66

- Durable ABS plastic material
- Assembled with security lock
- With gloves storage box(optional)

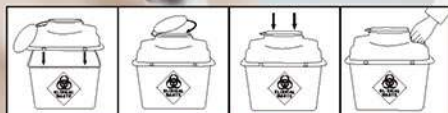


Model: DMS-T8 (Capacity: 8.0L)

Product size (cm)	pcs/ctn	Carton size (cm)
21x18x25	24	44x38x44



- Special and square shape
- Newly designed
- Leak proof and puncture resistant
- Solid and stable stand
- 2L, 7L, 7.6L and 22.7L models are perfect for long size needle disposal
- Cardboard sharps box for special needs
- Secure perimeter lock for safe usage and transportation
- Easy manipulation
- Comprehensive label details
- Safe to human health and environment



Available Colour:





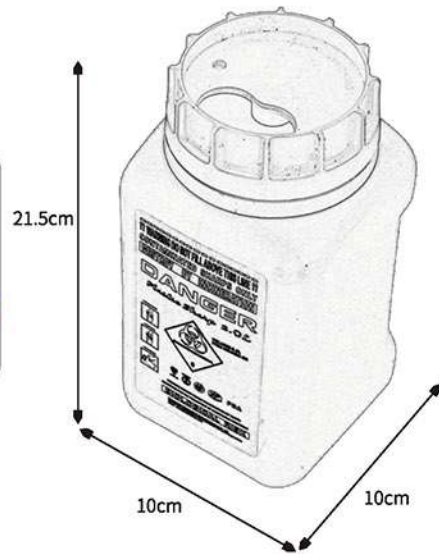
Model: DMS-S0.1 (Capacity: 0.1L)

Product size (cm)	pcs/ctn	Carton size (cm)
3.2x3.2x16.5	288	41x35.5x39.5



Model: DMS-S1.7 (Capacity: 1.7L)

Product size (cm)	pcs/ctn	Carton size (cm)
10x10x21.5	40	54x44x44.5



Model: DMS-S2 (Capacity: 2.0L)

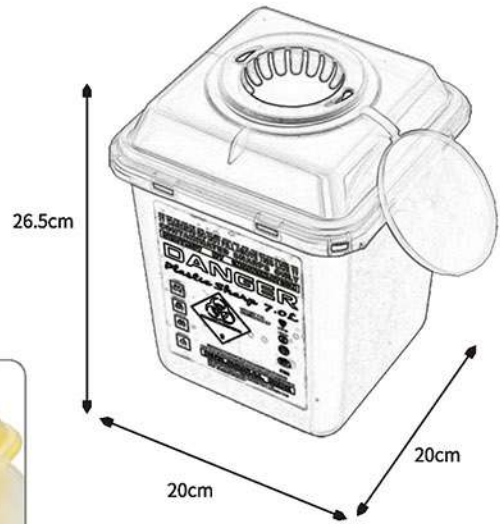
Product size (cm)	pcs/ctn	Carton size (cm)
13x12x25.5	40	46x33x46





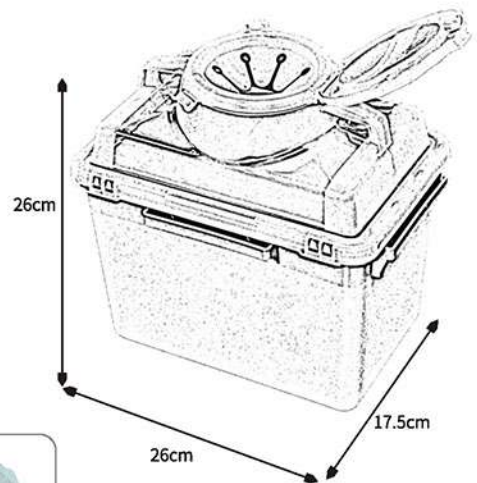
Model: DMS-S7 (Capacity: 7.0L)

Product size (cm)	pcs/ctn	Carton size (cm)
20x20x26.5	24	44x42x45



Model: DMS-S8 (Capacity: 7.6L)

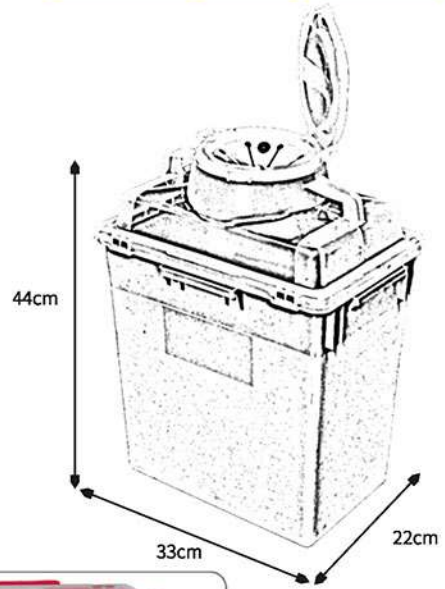
Product size (cm)	pcs/ctn	Carton size (cm)
26x17.5x26	24	54x38x56





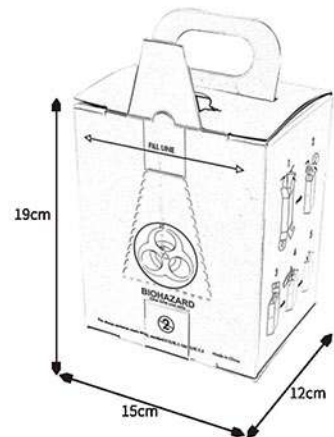
Model: DMS-S23 (Capacity: 22.7L)

Product size (cm)	pcs/ctn	Carton size (cm)
33x22x44	10	48x35x77



Model: DMS-SP3 (Capacity: 3.0L)

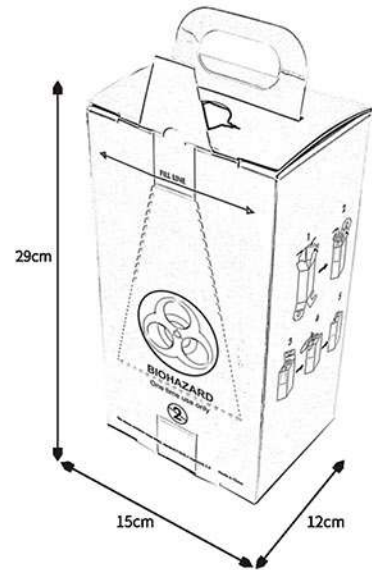
Product size (cm)	pcs/ctn	Carton size (cm)
15x12x19	100	49x28x48





Model: DMS-SP5 (Capacity: 5.0L)

Product size (cm)	pcs/ctn	Carton size (cm)
15x12x29	100	58x28x48



Model: DMS-SP10 (Capacity: 10.0L)

Product size (cm)	pcs/ctn	Carton size (cm)
19x15x36	50	72x35x24

